

# R4K-IRB Setup Guide



The R4K-IRB extension cables have been designed to extend an IR extension system signal as well as supply 5V USB power to the Real4K extenders. The IR communication through the Real4K Optical Extenders can be configured as either one-way or bi-directional, with implementation recommendations provide for each below.

**It is very important to verify the pin connections.** IR cables have a variety of pinout configurations since there is no industry standard. *Be sure to verify compatibility of the system with the pinout below to ensure that the supply is not shorted to ground!*

## PINOUT OF IR CONNECTORS

Each R4K-IRB cable has two IR connectors with the following functions and pinout connections:

### IR Detector Input – 3.5mm Female Receptacle

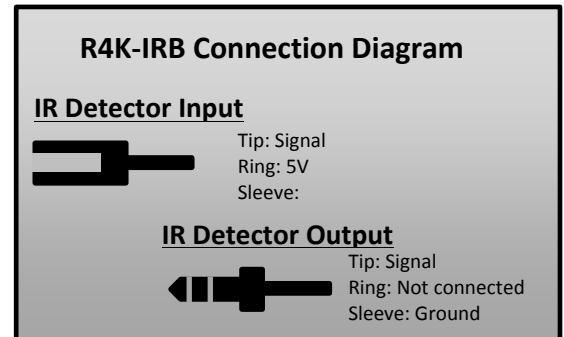
This is designed to plug directly to an IR detector

*Note: It is NOT able to take/extend and IR emitter input*

### IR Detector Output to IR Block – 3.5mm Male Plug

The is designed to plug directly into an IR block's detector input

*Note: It is NOT able to directly drive an IR emitter*



## RECOMMENDED IR SYSTEM

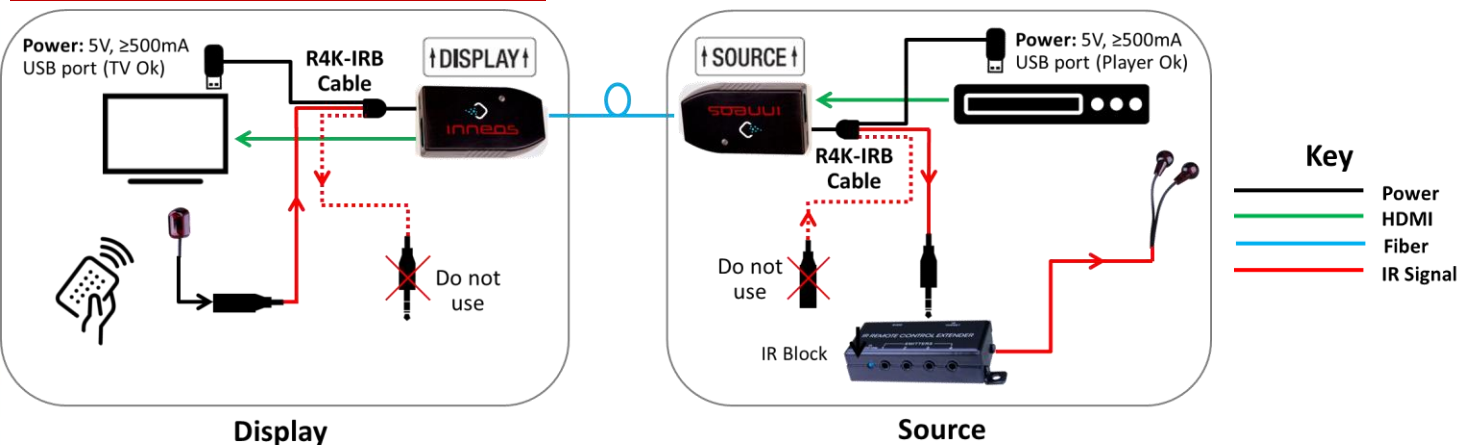
The Real4K Optical Extender with R4K-IRB IR extension system is recommended

to be used with the Vanco Compact 1 Zone 4 Source IR Kit

SKU: 280751



## EXTENDING IR REMOTE – ONE WAY



## EXTENDING IR CONTROL – BI-DIRECTIONALLY

